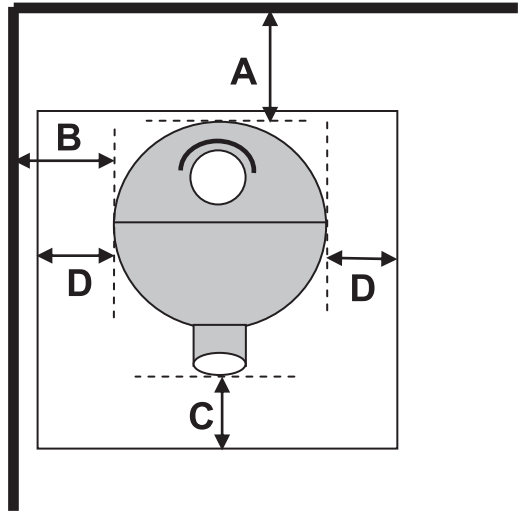
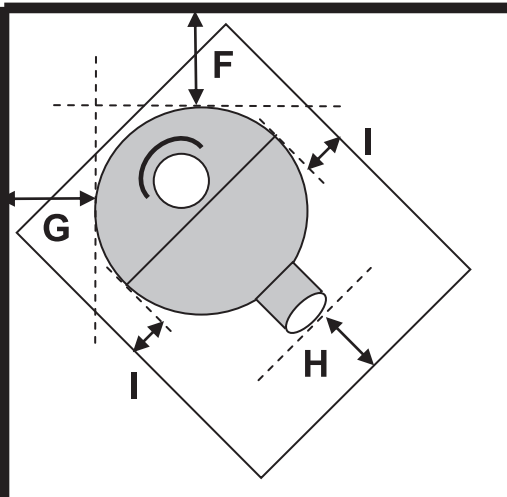


**Test Results for high/Flash fire:**

Parallel Position Clearance Distance	Position	Clearance (mm)	Max temp rise (°C)	
			High	Flash
	(A) Rear	150	Rear Wall	
			29.63	30.52
	(B) Side	400	Side Wall	
			60.68	58.81
	(C) Floor protector (front)	300	Floor	
			44.03	46.49
	(D) Floor protector (side)	200	Ceiling	
			41.31	44.42

Corner Position Clearance Distance	Position	Clearance (mm)	Max temp rise (°C)	
			High	Flash
	(F) Side	300	Rear Wall	
			29.74	30.23
	(G) Side	300	Side Wall	
			44.74	45.98
	(H) Floor protector (front)	300	Floor	
			44.13	44.06
	(I) Floor protector (side)	200	Ceiling	
44.99			46.84	

\* Note that this temperature passed within the laboratories margin of uncertainty.

**Technical Note:**

1. The clearance measurement A, B, F and G were taken from the distance between walls and closest point of the appliance, C and H was measured from the front of the air control/cleaning tube as this is the foremost opening, D and I was measured from each side of fuel-loading opening.
2. The flue was installed onto the flue spigot, extended centrally and vertically without bend before and after penetration of the ceiling plane.
3. Drawings shown above are not to scale.